

ø.750  
 Drain Hole  
 in Bottom

ø6.250

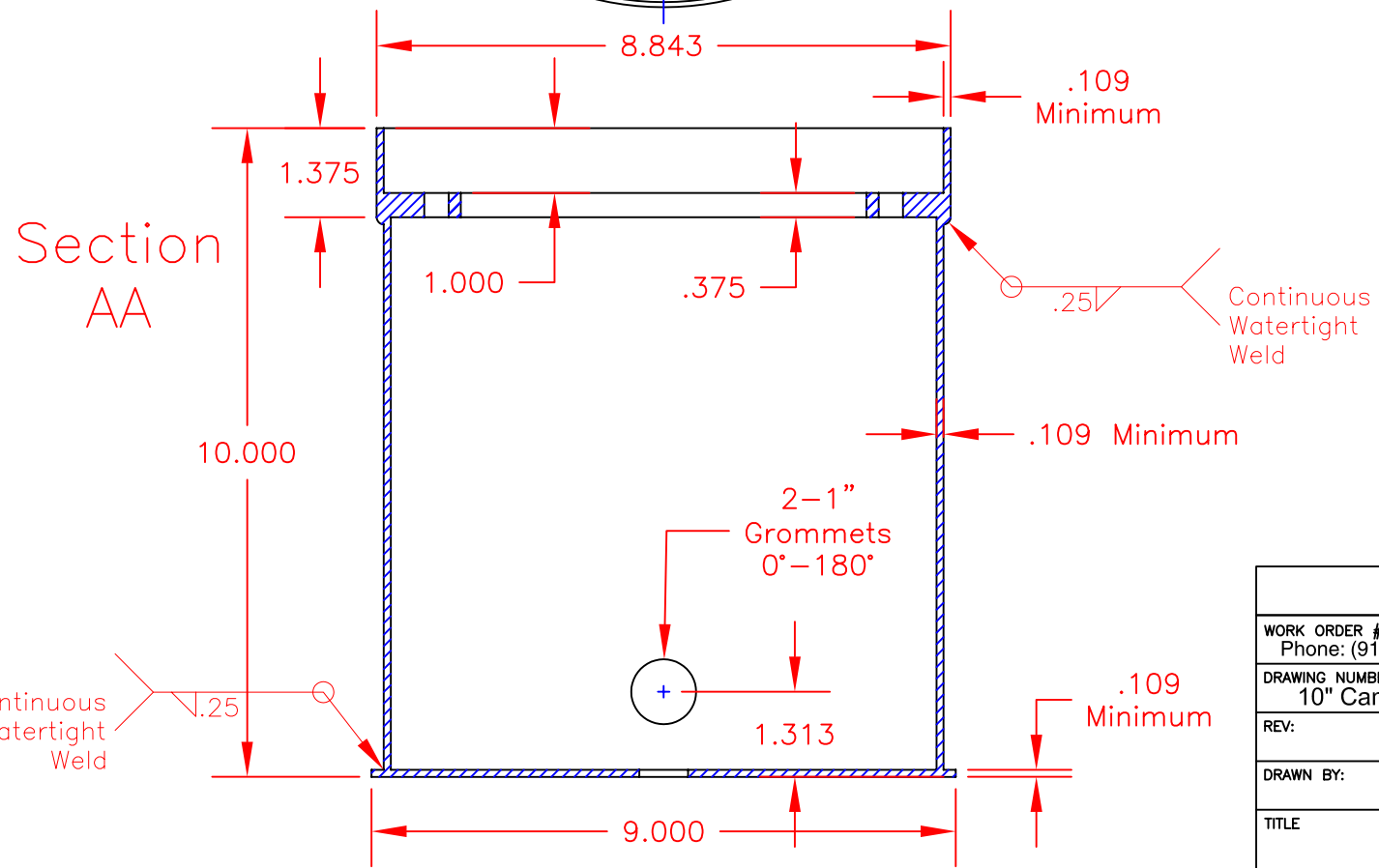
A

A

Ground  
 Strap

[12x] 3/8"-16  
 Tapped Holes

ø7.000 Bolt Hole Circle



Section  
 AA

8.843

.109  
Minimum

1.375

1.000

.375

.25

Continuous  
 Watertight  
 Weld

10.000

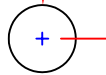
.109 Minimum

2-1"  
 Grommets  
 0°-180°

Continuous  
 Watertight  
 Weld

.25

.109  
Minimum



1.313

9.000

All dimensions  
 in inches  
 unless otherwise  
 specified

<b>Traffic Safety Corp.</b>			
WORK ORDER # Phone: (916) 394-9884 • Fax: (916) 394-2809 • Web: www.xwalk.com			
DRAWING NUMBER		DATE:	
10" Can w/ 1" Mud Ring & 7" Bolt Circle		10/1/2007	
REV:	SIZE:	SCALE:	SHEET OF
	A	1:3	1 1
DRAWN BY:	ENGINEER		CHECKED BY
TITLE			
<b>BA-700-10 Base Can</b> BC01-100107			