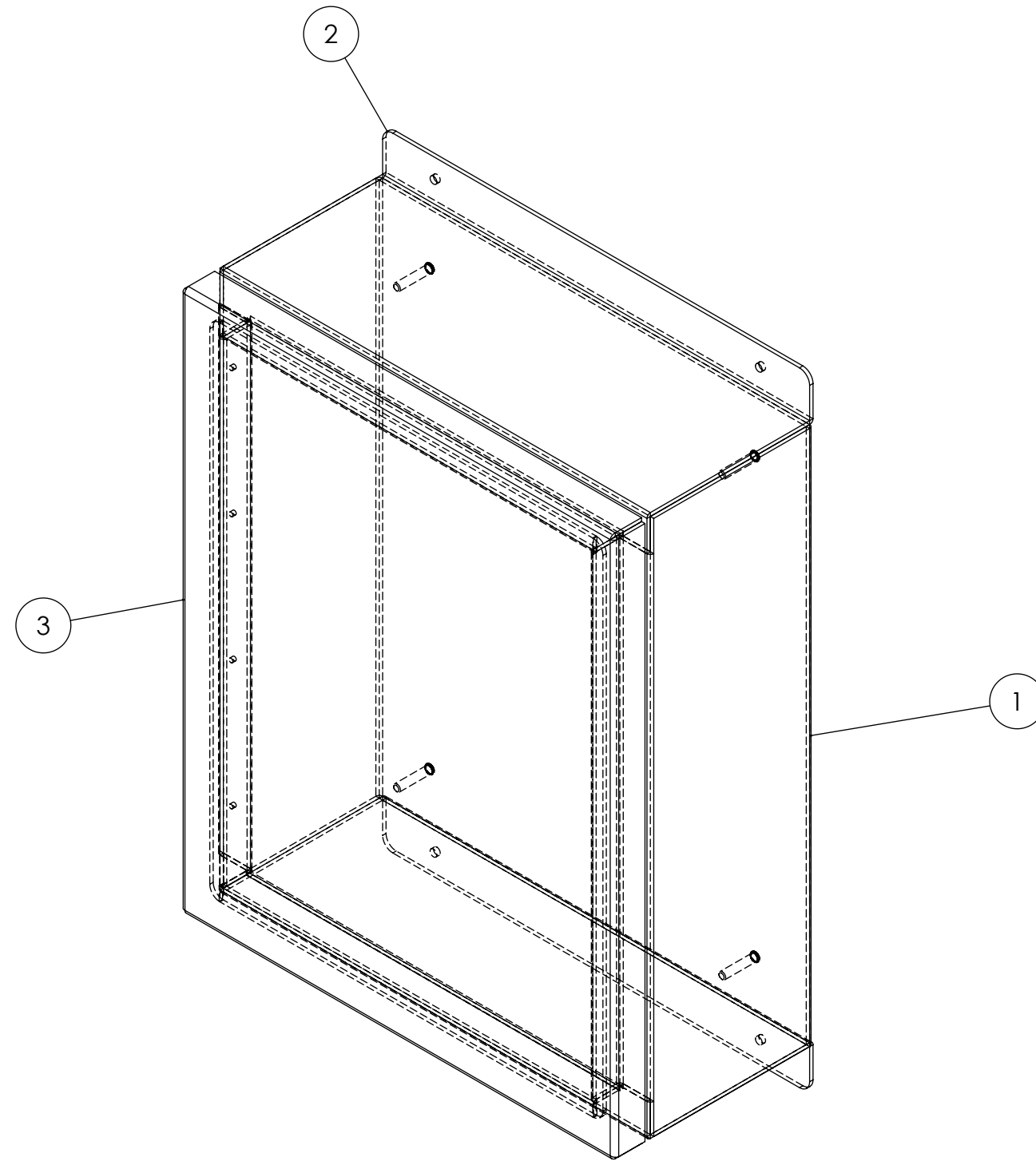


ITEM NO.	PART NUMBER	DESCRIPTION	Default/QTY.
1	FL-16206-WRP-A-1	WRAP	1
2	FL-16206-TF-A-1	TOP & BOTTOM	2
3	FL-16206-DR-A-1	DOOR	1
4	16"L	2" X 080THK X 188PIN, ALUM HINGE, ITEM #1	1
5	16"L	2" X 080THK X 188PIN, ALUM. HINGE ,ITEM #2	1
6	back-pan	BACK PAN	1
7	BACK-PAN-STIFFENER	BACK PAN STIFFENER	1



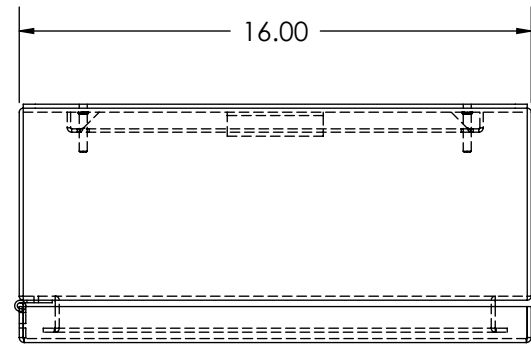
REV.	DATE	BY	DESCRIPTION
1	2/23/10	DPD	NEW RELEASE

Traffic Safety Corp.

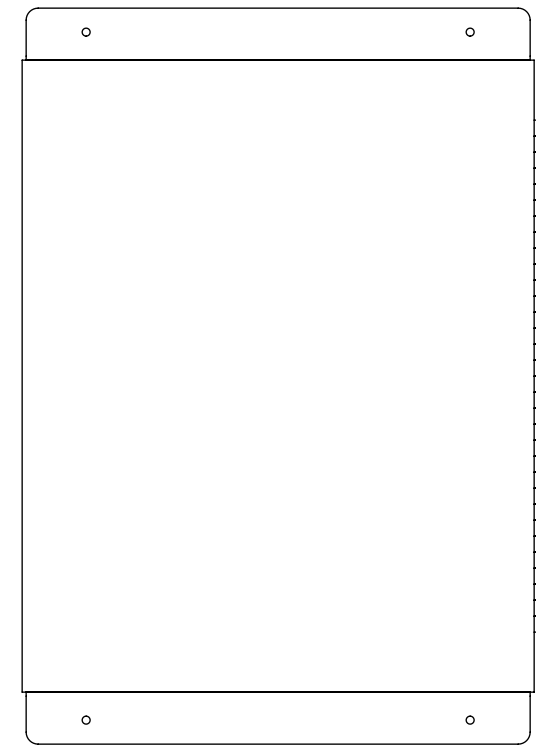
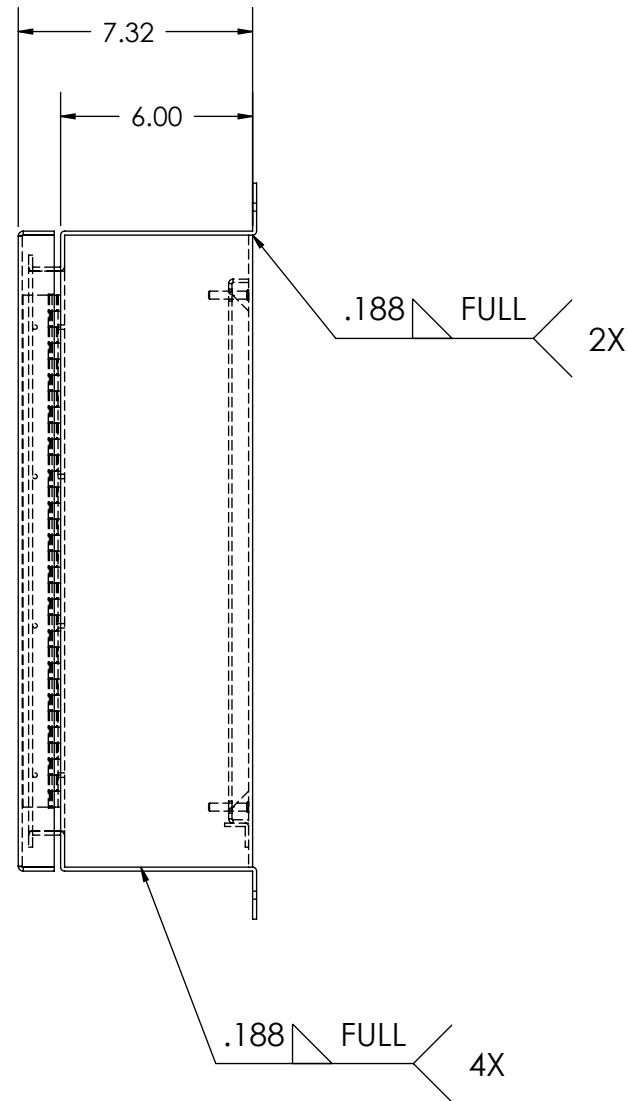
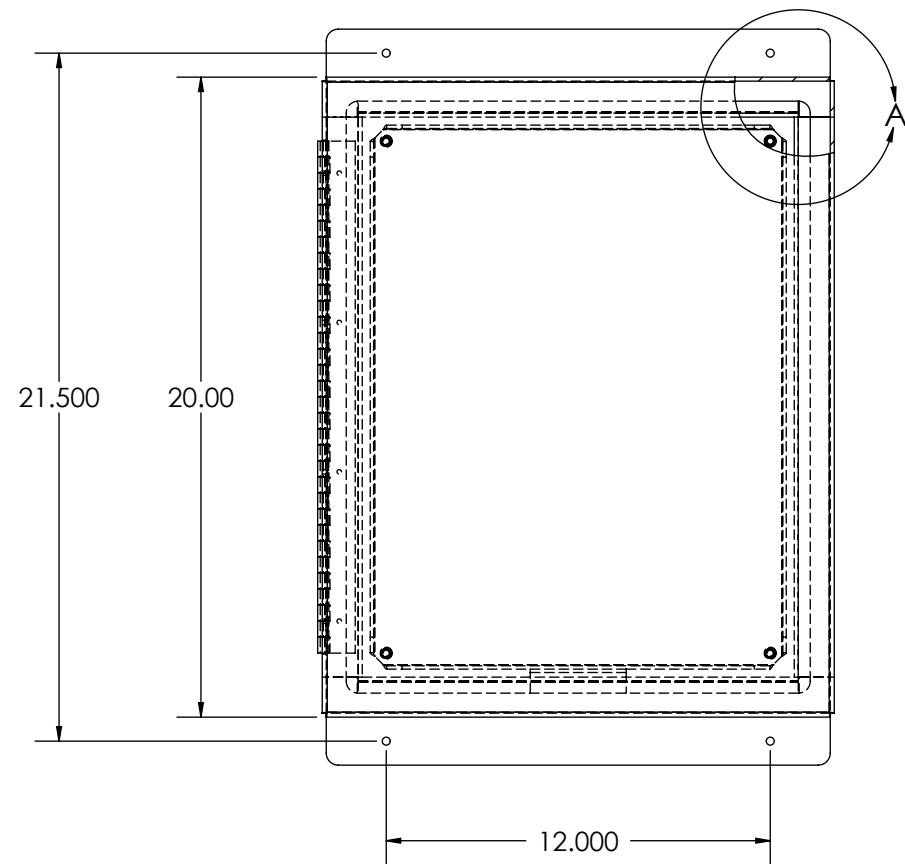
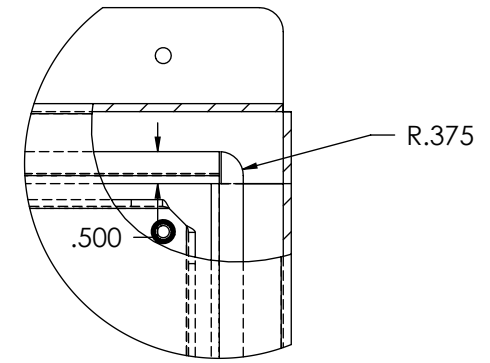
2708 47th Ave.  
Sacramento, CA 95822

TS1000 NEMA 4 Compliant, Aluminum Enclosure

DATE	DESIGN	DRAWN	CHECK BY	SHEET OF	DWG. NO.
2/23/2010		DPD		1 OF 2	T-FL-16206-A-1



DETAIL A  
SCALE 1 : 3



BACK

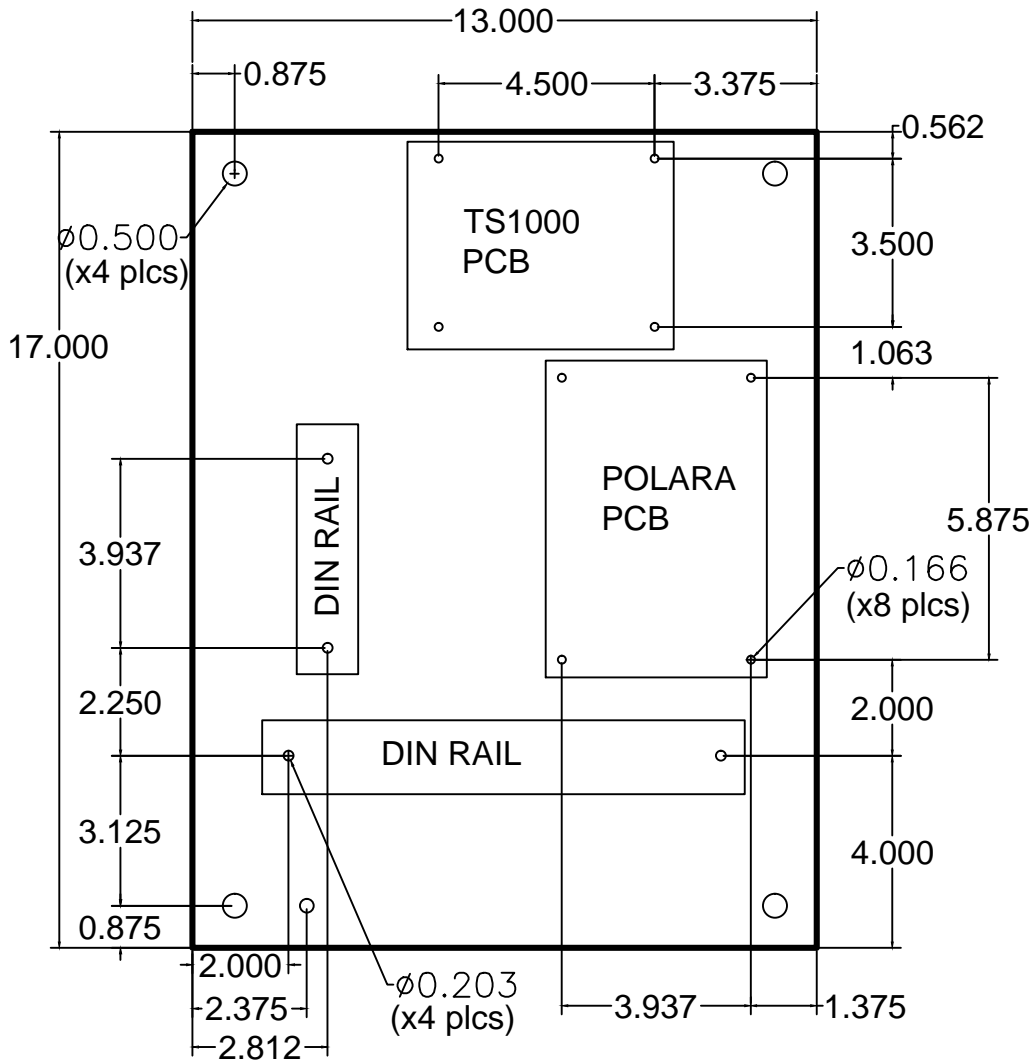
1	2/23/10	DPD	NEW RELEASE
REV	DATE	BY	DESCRIPTION

Traffic Safety Corp.

2708 47th Ave.  
Sacramento, CA 95822

TS1000 NEMA 4 Compliant, Aluminum Enclosure

DATE 2/23/2010	DESIGN	DRAWN DPD	CHECK BY	SHEET OF 2 OF 2	DWG. NO. T-FL-16206-A-1
-------------------	--------	--------------	----------	--------------------	----------------------------



Moy-20, 1992 - 13:17

				<b>Traffic Safety Corp.</b>		<b>TS1000 Back Panel Layout</b>					
				2708 47th Ave. Sacramento, CA 95822		DATE	DESIGN	DRAWN	CHK'D BY	SHEET #	DRAWING #
						3-11-10	UNK	DWJ		1 OF 1	27-20166-P
REV	DATE	BY	DESCRIPTION								