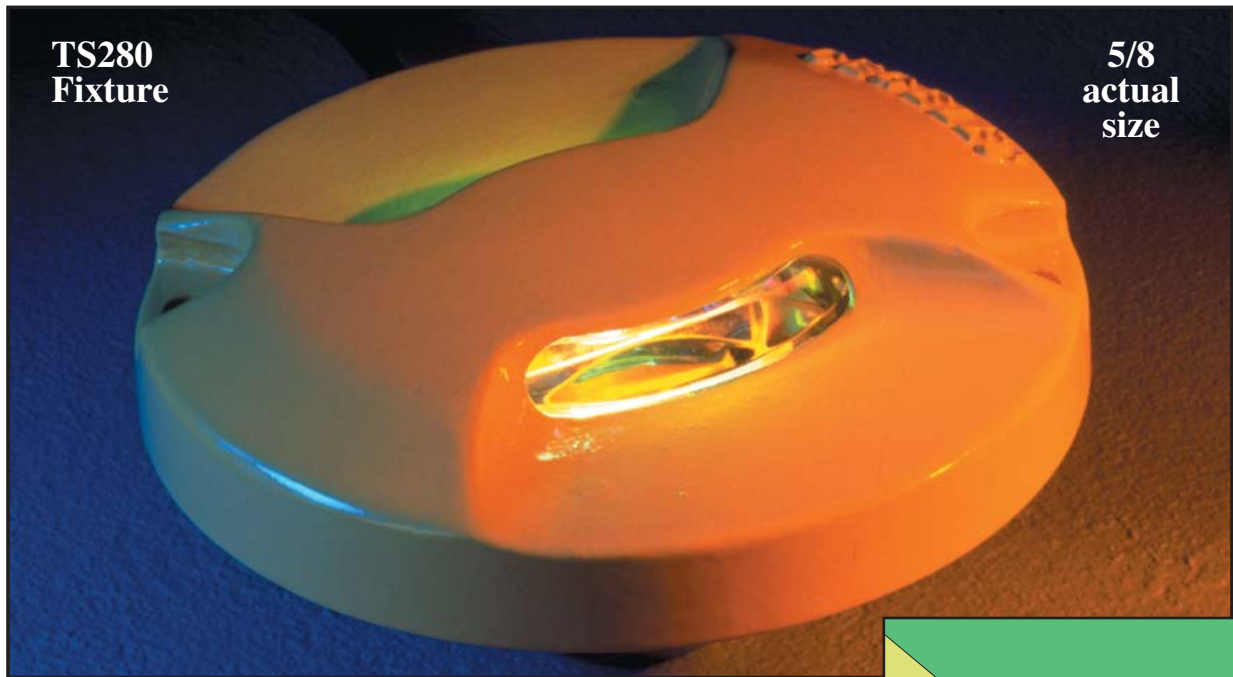




TF: (888) 446-9255
PH: (916) 394-9884
FX: (916) 394-2809
EM: sales@xwalk.com
WEB: www.xwalk.com
Traffic Safety Corporation
2708 47th Ave.
Sacramento, CA 95822-3806

Traffic Safety Corp. TS280 Inpavement Lights Crosswalk Warning System



Application

These high intensity, bi-directional inset lights alert motorists that pedestrians are in the crosswalk. They are activated by a push button at either curb and flash yellow once per second for a preset duration.

Features

- Low profile (0.39")
- 50 W off-the-shelf lamps
- In a technological break through, our optional LED light source is brighter than our halogen lamps!
- Pressurized light cavity keeps moisture out and extends light source life.
- Lamp life of 10,000 to 100,000 hours
- LED light source use life estimated at 10 years or longer.
- Body of high tensile cast aluminum for strength and durability.
- Fixtures withstand a static load of 44,000 lb. and a dynamic load of 22,000 lb.

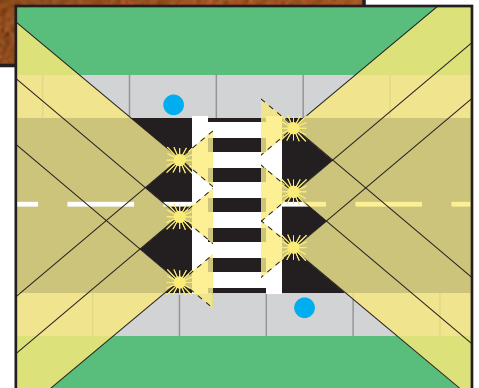
Typical Installation

This two-lane road, 24 feet wide, has six TS280 fixtures embedded in the pavement. Each lane has two fixtures on the side nearest oncoming traffic and one on the far side of the crosswalk. All lights flash in both directions. The pedestrian activates the lights using a push button at the curb (blue dots). The lamps project a 500,000 candela per meter sq. wide angle beam that is clearly visible in daylight and under the worst weather conditions.

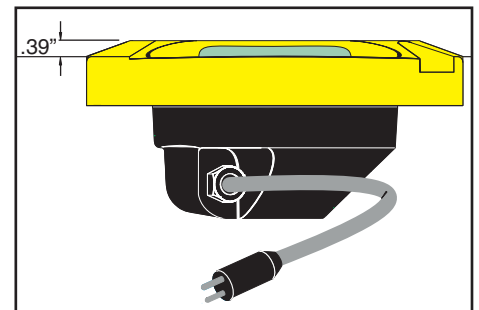
An optional long-lasting, energy efficient LED light source (600,000 candela) is available for all installations, but is especially useful for solar powered projects.

Low-profile Fixture

The TS280 is 8" in diameter and rises only 10mm (0.39") above the roadway. This low profile, and the TS280's smooth surface, allows snow plows to pass over without damaging the fixture. (Snow plow blades must be set 1/4 inch or higher above grade. If snow plow blades are operated at grade, the fully flush TS600 fixture should be used.) The fixture withstands a dynamic load of 22,000 lb. and a static load of 44,000 lb.



Six-unit installation: Download complete AutoCAD drawings for 2 and 4 lane applications from www.xwalk.com.



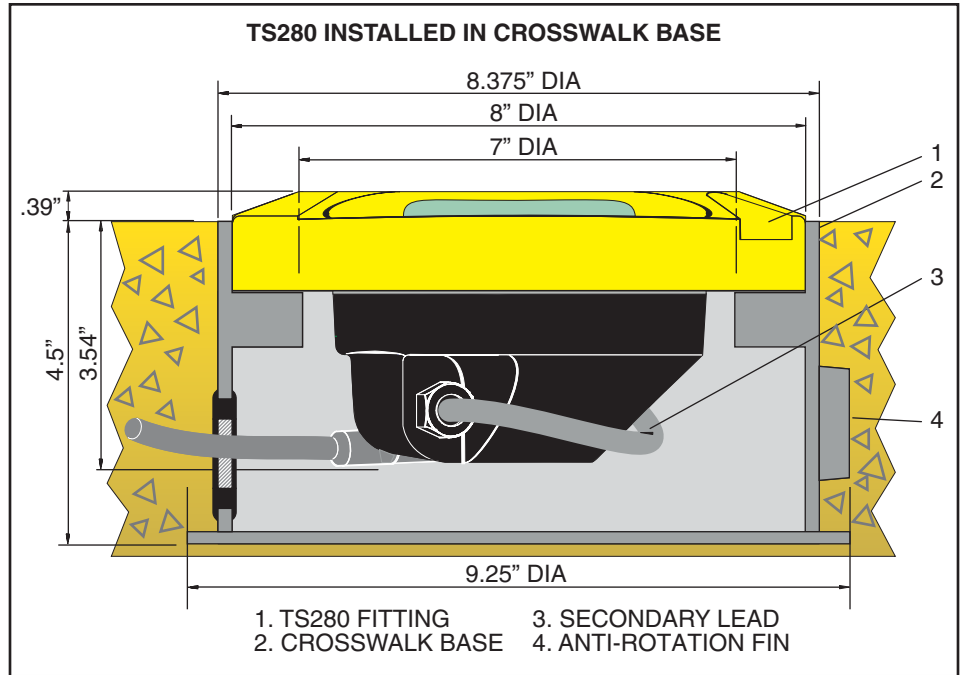
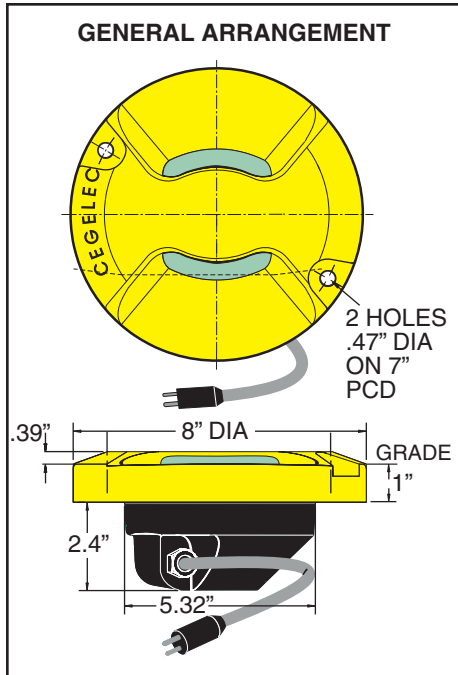
TS280 profile

Visit our web site: www.xwalk.com



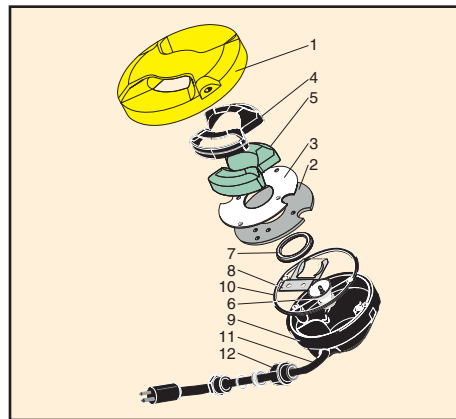
TF: (888) 446-9255
PH: (916) 394-9884
FX: (916) 394-2809
EM: sales@xwalk.com
WEB: www.xwalk.com
 Traffic Safety Corporation
 2708 47th Ave.
 Sacramento, CA 95822-3806

Traffic Safety Corp.
TS280 Inpavement Lights
Crosswalk Warning System



Components

- 1. Body casting
- 2. Prism clamp 80-021268
- 3. Prism clamp gasket 80-033072
- 4. Prism gasket (2) 80-033071
- 5. Glass prisms (wide) (1 or 2) 80-016072
- Glass prisms (narrow)(LED) (1 or 2) 80-016078
- Blanking prism (optional) 80-040102
- Color filters (not shown)
- blue 80-019201
- green 80-019156
- red 80-019155
- yellow 80-019157
- 6. 48W 6.6A MR16 lamp LA-008065
- 50W 120V MR16 lamp LA-008084
- LED Array MR16 12V LA-MR16-18LED-12Y
- LED Array MR16 120V LA-MR16-18LED-120Y
- LED High Bright 12V LA-008114
- 7. Lamp gasket 80-033077
- 8. Lamp retaining spring 80-032039
- 9. Bottom cover
- 10. Bottom cover gasket 80-033080
- 11. Fixture lead, male CO-10518-114-D02
- 12. Cable gland assembly 80-021114/5/6
- 13. Bypass device (not shown) 80-031026



Specifications

- Dimensions:
 Fixture - 8" diameter, 3.54" deep
 Base can - 9.25" diameter, 4.5" deep
- Prism: wide, narrow (LED), or blank.
- Color filter: yellow. LED in yellow.
- Body casting: High tensile aluminum alloy finished in safety yellow.
- Stress bearing: 11 tons dynamic load and 22 tons static load.
- Installation and operation handbook provided.

TS280 Ordering Code

Fixture	Color/Color	Lamp
FI-TS280 bidirectional	Y: Yellow X: Blank	L1: 12V LED High Bright
FI-TS281 unidirectional		50: 50W, 120V Halogen

Color/Color		
FI-TS280 bidirectional		
FI-TS281 unidirectional		X

Visit our web site: www.xwalk.com