

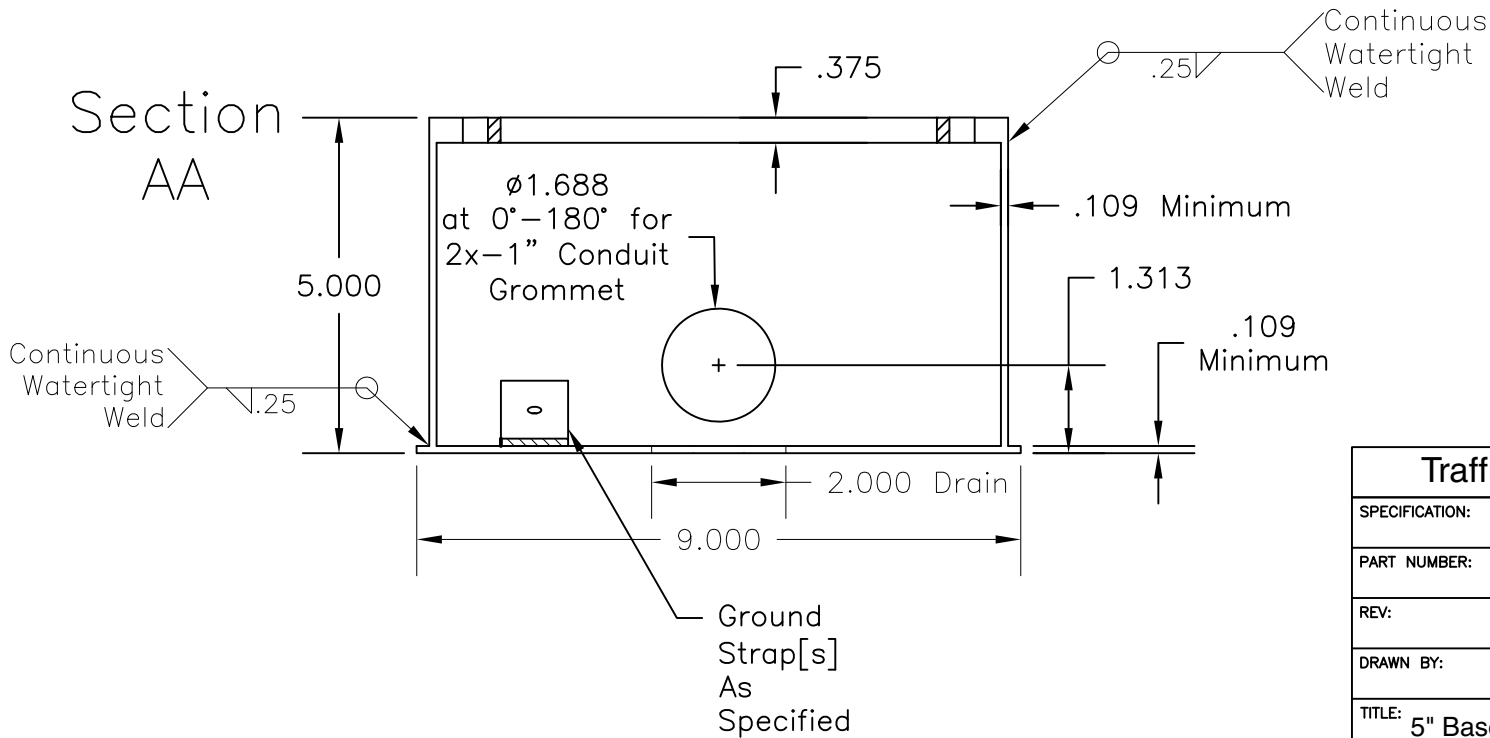
Flange Flatness is $\pm .010$ [254mm]

Notes:

- 1.) Grommets Holes are placed @ 0° & 180°
- 2.) 2" Drain Hole is Placed in Bottom
- 3.) One internal Strap

Approval

Section AA



x/x=.030
 .xx=.010
 .xxx=.005
 .xxxx=.0005

All dimensions in inches unless otherwise specified

Traffic Safety Corp. • www.xwalk.com

SPECIFICATION:			
PART NUMBER:		DATE: 10/11/2012	
REV:	SIZE: A	SCALE: 1:3	SHEET OF 5
DRAWN BY:	ENGINEER:	CHECKED BY:	
TITLE: 5" Base Can, 7.25" BC, 2" drain (P/N BA-725-5-2)			