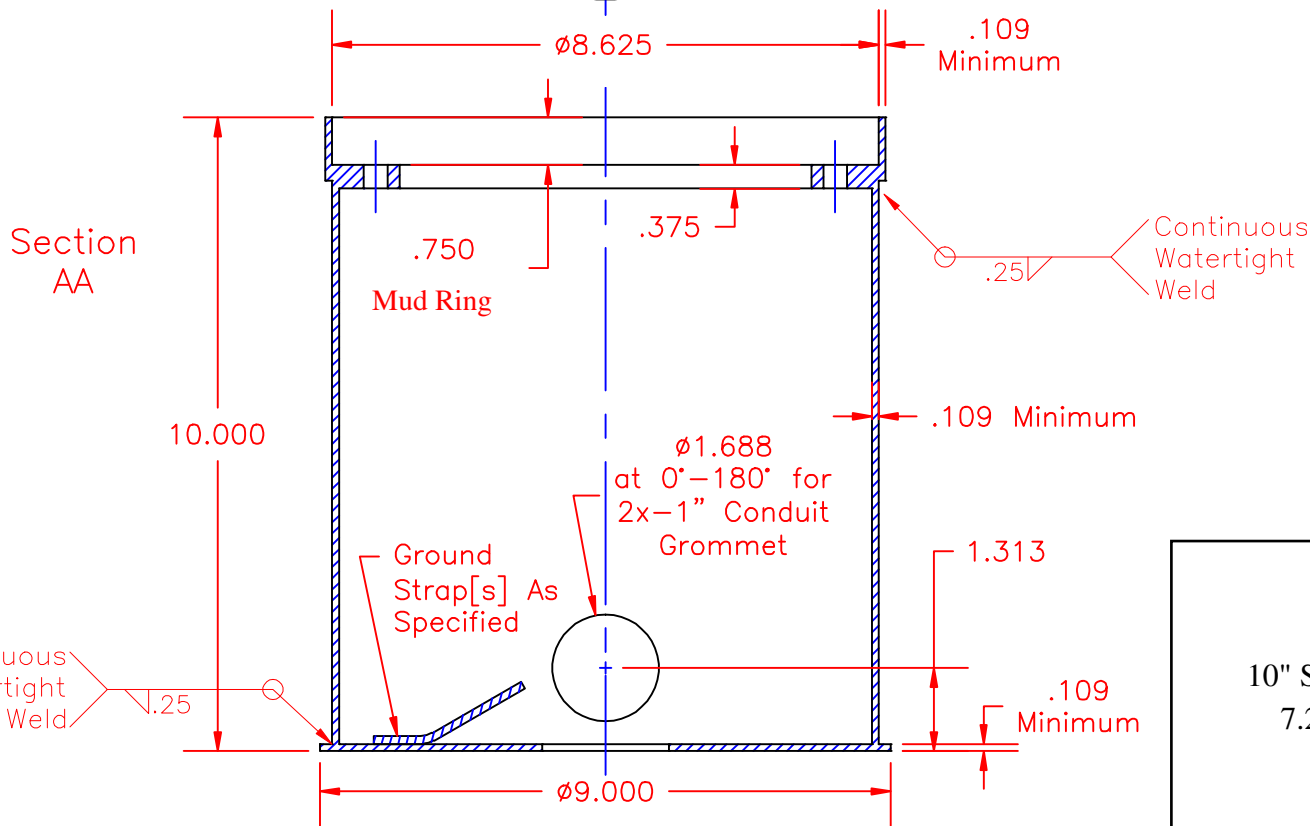


Note: This base is compatible with the TS600, TS400 and TS300 Fixtures



Approval

$x/x=.030$ $.xx=.010$ $.xxx=.005$ $.xxxx=.0005$
All dimensions in inches unless otherwise specified

Traffic Safety Corporation
 10" Steel Base Can with 3/4" Mud Ring,
 7.25" Bolt Circle and 2" Drain Hole
 BA-725-10-2
 BC-04 Rev. A, Released 063008

Continuous Watertight Weld