



Traffic Safety Corporation
 2708 47th Ave.
 Sacramento, CA 95822-3806
 Toll Free: 888.446.9255
 Tel: 916.394.9884
 Fax: 916.394.2809
 Email: sales@xwalk.com
 Web: www.xwalk.com

TS-SR-48 Bi-Directional, Stainless Steel LED Road Stud

General Description

Our TS-SR-48 stainless steel road stud features a durable, low maintenance design with outstanding visibility during the day and at night.

The TS-SR-48 is typically used in cross-walk applications, but it also can be used to mark school zones and rail-road crossings, lane control for bridges and tunnels, wrong way warning, and toll booth or toll way lead-on applications.

All In-Roadway Warning Lighting System components are available from TSC. A typical installation would include a set of road studs, a control system, one or more activation devices such as a pedestrian push button station, and flashing LED crossing signs.

Features

- Robust construction, suitable for harsh conditions.
- Snowplow resistant.
- Outstanding visibility during the day and at night.
- Suitable for applications in cross-walks, school zones, bridges and tunnels.
- Low maintenance, 100% waterproof.
- Easy replacement: base (fixed in the pavement), main body (removable).
- LEDs protected by polycarbonate window.
- Operation modes: always on; flashing and sequential with external controller.
- Optional: use different LED colors in each window.

Specifications

Electrical:

- Power Supply: 12V DC (other voltages available)
- Current Consumption: 160mA

Optical:

- LED Number: 16 LEDs - 5mm
- LED Color: yellow, red, white, blue, green
- Viewing Angle: 15°
- LED Configuration: bi-directional



Mechanical:

- Dimensions: 6.3" (160.5mm) diameter x 4" (100.5mm) height
- Weight: 5.95 lb. (2.7 kg)
- Projection (above road surface): .33" (8.5mm)
- Minimum Installation Depth: 3.9" (100mm)
- Main Body: Stainless Steel League
- Base: Aluminium
- Mechanical Resistance: 90 tons
- Protection Index: IP68 and IK10

Other Versions

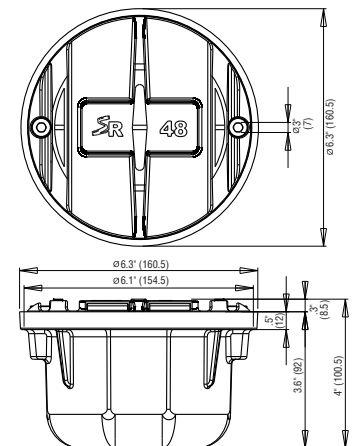
TS-SR-48P:

- High power LEDs used for maximum brightness.
- Up to 8 highbright LEDs (1W) with internal lens.
- Specially developed heat sink to increase LED lifetime.

Ordering Codes

	Version	LED Color
TS-SR-	48: Standard	— / —
	48P: Highbright LEDs	— / —

LED Color: Y = Yellow, R = Red, W = White, B = Blue, G = Green



Visit our web site: www.xwalk.com