



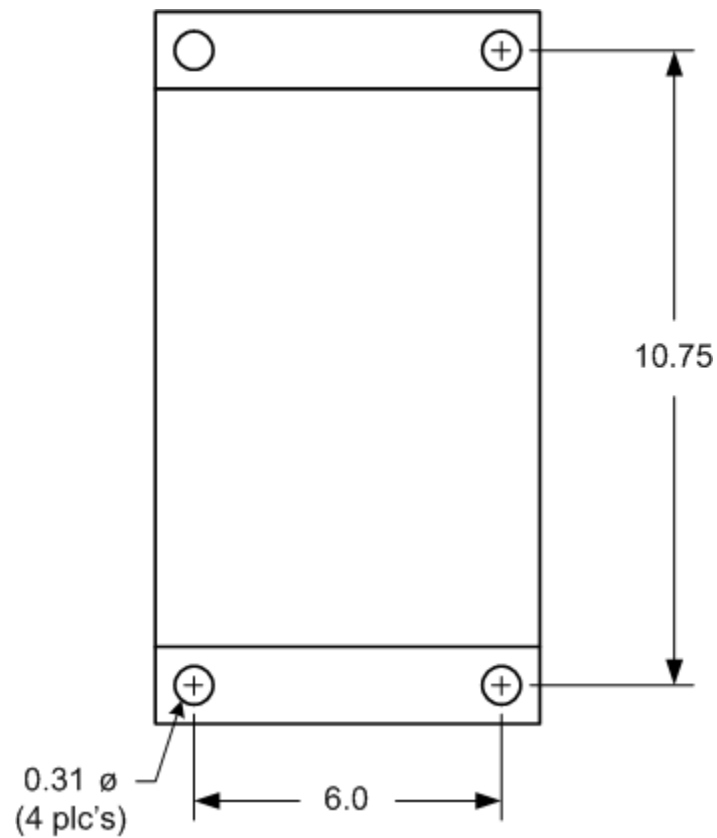
TS2000 Lighting Controller Installation Instructions

Standard Model with or without Photocell

1. Mechanical

a. It is recommended to keep the controller out of extreme heat (above 110° F) to avoid degrading the power supply.

b. The enclosure is usually wall mounted by 4 holes, use the following dimensions for mounting.



c. The enclosure overall dimensions (not including the mounting tabs) are 10"H x 8"W x 4"D.

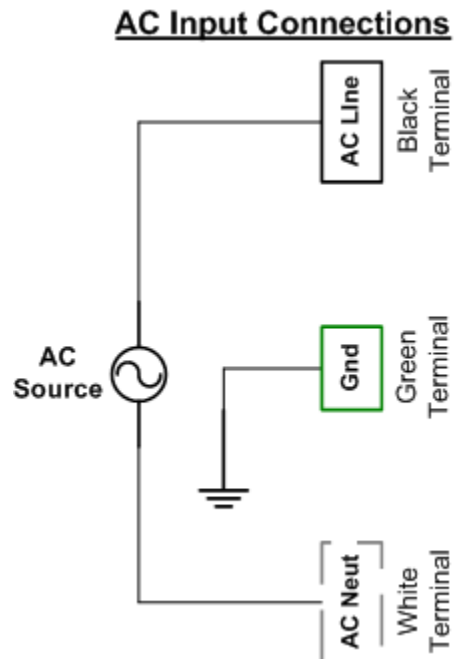


2. Electrical

a. Two holes on the bottom of the enclosure are recommended for your wires which connect to the terminal blocks. The AC input and DC output wires should be kept separate to avoid any crosstalk between them. A rubber grommet is recommended to protect the wires from scraping against the metal enclosure.

b. The power supply has an output rated at 150W or 300W, depending on the load of your system.

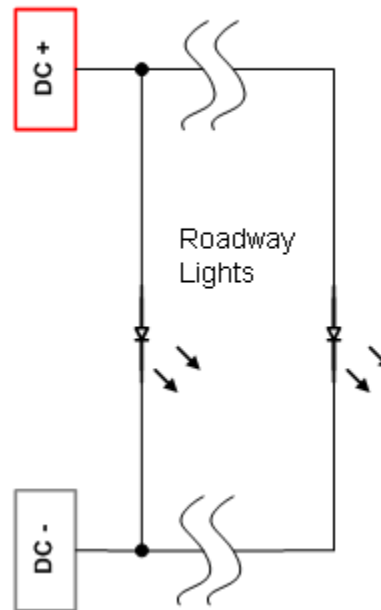
c. Connect your AC to the heliport controller input terminal blocks according to the following diagram:





b. Connect the DC output from the controller according to the following diagram:

DC Output Connections



3. Operation

- After checking your input and output connections, the controller is turned on by the switch on the circuit breaker. Your traffic lights should turn on.
- There are surge suppression devices on the AC line and neutral signals to protect the system from transients and lightning strikes.
- The system is turned off by placing the circuit breaker switch in the off position.

4. Troubleshooting

If your system does not operate properly when you turn it on, here are some helpful hints to diagnose the problem.

- Verify you have 105 to 300 VAC at the input terminals.
- Verify you have 15VDC +/- 1.0VDC at the output terminals.
- Apply 12VDC to the load from a car battery with the adapter provided with the controller or another power supply to see if the load wiring is correct and the lights illuminate.
- Further assistance is available from Traffic Safety if the above steps do not help at (916) 394-2800.