



TF: (888) 446-9255
PH: (916) 394-9884
FX: (916) 394-2809
EM: sales@xwalk.com
WEB: www.xwalk.com
 Traffic Safety Corporation
 2708 47th Ave.
 Sacramento, CA 95822-3806

Traffic Safety Corp.
TS230 Inpavement Lights
Crosswalk Warning System



Application

These high intensity, bi-directional inset lights alert motorists that pedestrians are in the crosswalk. They are activated by a push button at either curb and flash yellow once per second for a preset duration.

Features

- Low profile (0.5")
- 45 W off-the-shelf lamps
- Average lamp life 1,200 hours.
- Body of spheroidal graphite iron for strength and durability.
- Fixtures withstand a static load of 44,000 lb. and a dynamic load of 22,000 lb.

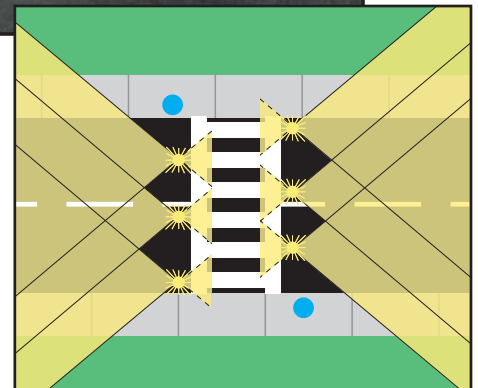
Typical Installation

This two-lane road, 24 feet wide, has six TS230 fixtures embedded in the

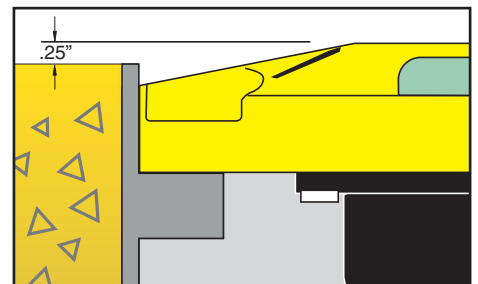
pavement. Each lane has two fixtures on the side nearest oncoming traffic and one on the far side of the crosswalk. All lights flash in both directions. The pedestrian activates the lights using a push button at the curb (blue dots). The lamps project a 500,000 candela per meter sq. wide angle beam that is clearly visible in daylight and under the worst weather conditions.

Low-profile Fixture

The TS230 is 8" in diameter and rises only 12mm (0.5") above the roadway. This low profile, and the TS230's smooth surface, allows snow plows to pass over without damaging the fixture (Snow plow blades must be set 1/4 inch or higher above grade. If snow plow blades are operated at grade, the fully flush TS600 fixture should be used.) The fixture withstands a dynamic load of 22,000 lb. and a static load of 44,000 lb.



Six-unit installation: Download complete AutoCAD drawings for 2 and 4 lane applications from www.xwalk.com.



TS230 profile

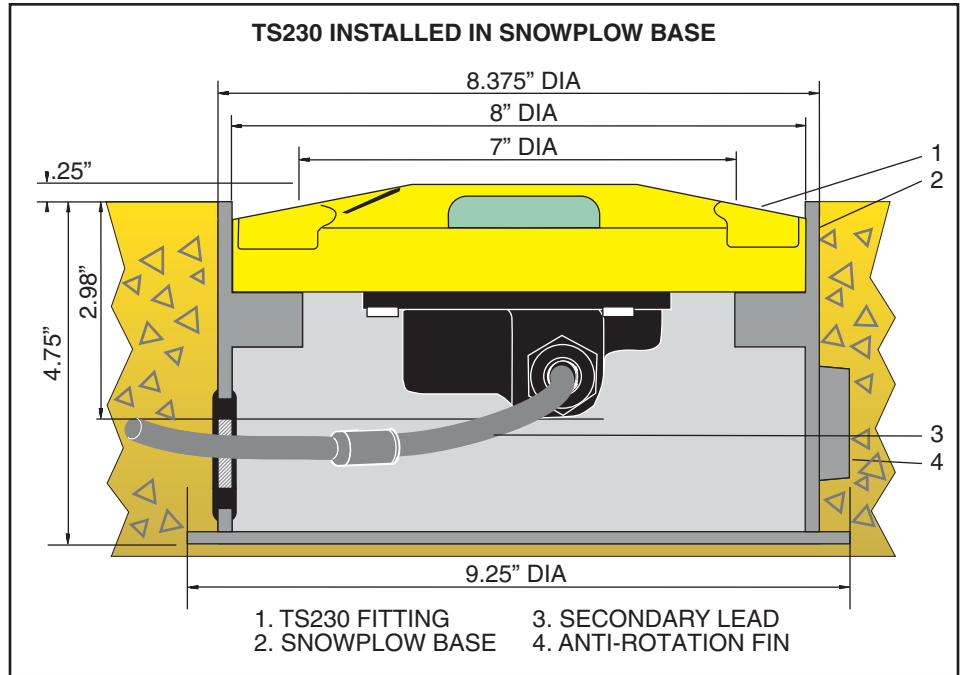
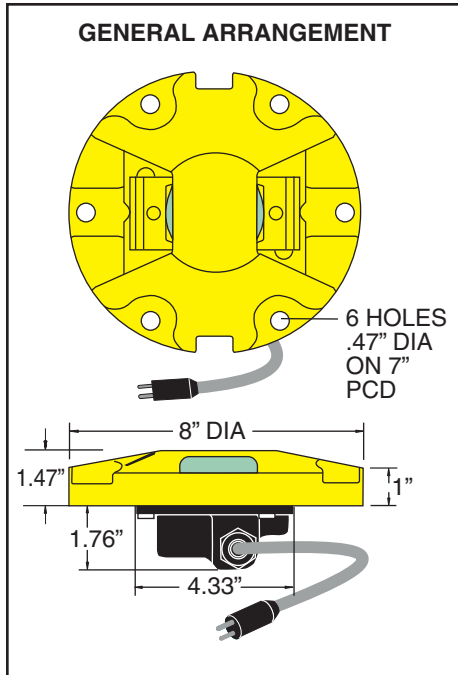
Visit our web site: www.xwalk.com



TF: (888) 446-9255
PH: (916) 394-9884
FX: (916) 394-2809
EM: sales@xwalk.com
WEB: www.xwalk.com

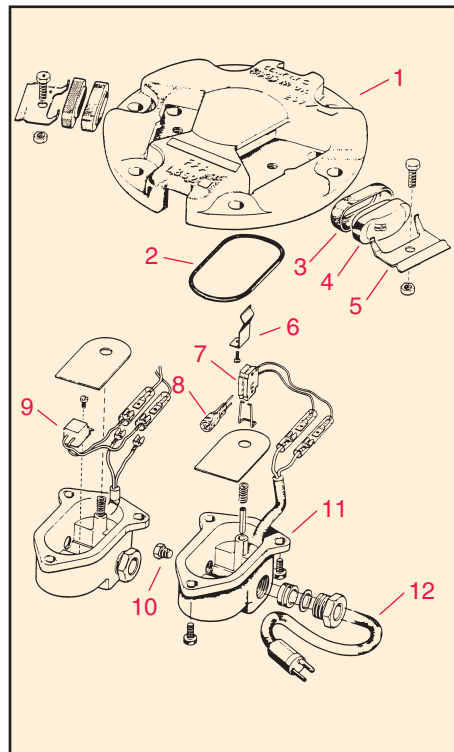
Traffic Safety Corporation
 2708 47th Ave.
 Sacramento, CA 95822-3806

Traffic Safety Corp.
TS230 Inpavement Lights
Crosswalk Warning System



Components

- | | |
|--------------------------|-------------------|
| 1. Body casting | |
| 2. Bottom seal gasket | 80-033067 |
| 3. Window seal gasket | 80-033045 |
| 4. Glass lenses (1 or 2) | |
| yellow | 80-019106 |
| blank | 80-040035 |
| 5. Lens retainer spring | 80-032021 |
| 6. Leaf spring | 80-032022 |
| 7. Lampholder | 80-015048 |
| 8. 45W lamp | LA-J1/57 |
| 9. Bypass | 80-031026 |
| 10. Pressure test plug | 80-021256 |
| 11. Bottom cover subassy | 80-040094 |
| 12. Fixture lead, male | TRC-10518-114-D02 |



Specifications

- Dimensions:
 Fixture - 8" diameter, 3.23" deep
 Base can - 9.25" diameter, 4.5" deep
- Lamp: 45W LA-J1/57
- Lenses: Bi-directional in yellow.
- Body casting: High strength spheroidal graphite iron finished in golden yellow
- Stress bearing: 11 tons dynamic load and 22 tons static load.
- Installation and operation handbook provided.

TS230 Ordering Code

Fixture	Color/Color	Lamp
FI-TS230 bidirectional	Y: Yellow X: Blank	45: 45W Halogen
FI-TS231 unidirectional		
Color/Color		
FI-TS230 bidirectional		
FI-TS231 unidirectional	X	

Visit our web site: www.xwalk.com