



**Traffic Safety Corporation**  
 2708 47th Ave.  
 Sacramento, CA 95822-3806  
 Toll Free: 888.446.9255  
 Tel: 916.394.9884  
 Fax: 916.394.2809  
 Email: sales@xwalk.com  
 Web: www.xwalk.com



## TC26-B Microwave Vehicle Motion Sensor

### General Description

The TC26-B is a microwave motion sensor that will identify a vehicle moving in its detection pattern and then trigger the operation of a traffic controller. By utilizing microwave technology, this device provides accurate and consistent vehicle detection that is not affected by temperature, humidity, color or background variations.

The TC26-B easily mounts above ground, requires no pavement cuts and can be installed with minimal traffic disruption. All parameters are adjusted via external controls located on the back panel. The housing is factory sealed with an external wiring harness or an optional quick-connect cable which eliminates the need to open the sensor during installation.

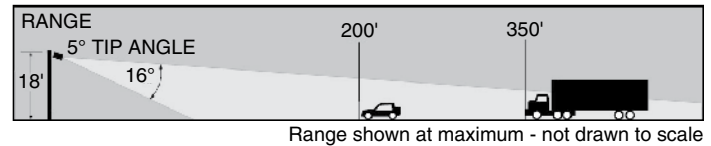
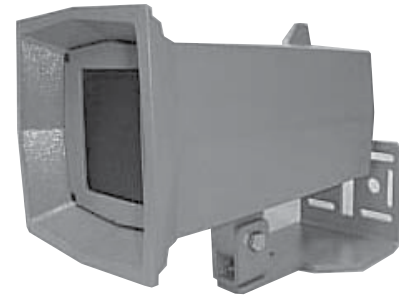
Once mounted, the installer simply connects the cable, makes the necessary adjustments, aims the sensor at the desired detection area and applies power.

### Features

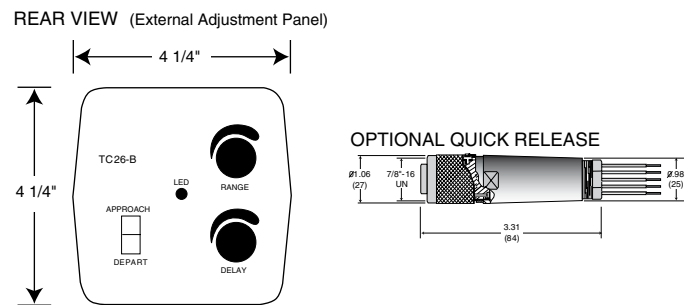
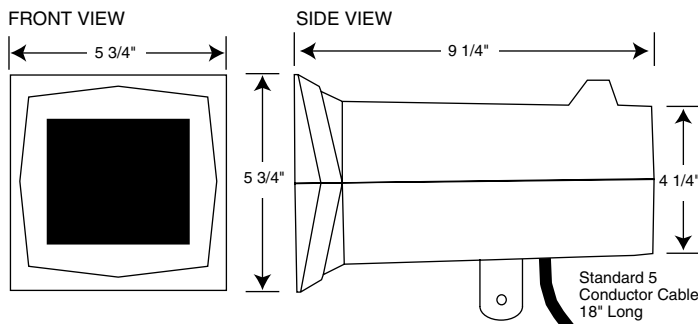
- Adjustable range (up to 200' for cars, 350' for trucks)
- Directional scanning (select approach-only or depart-only motion)
- Sealed housing
- External adjustment panel and connector (no need to open the housing during installation)
- External indicator LEDs (eases drive test confirmation)
- Low power - ideal for solar applications (uses 1/5 the power of inductive loops)
- Covers single or multiple lanes
- Installs easily above ground

### Specifications

- Model Number: TC26-B
- Operating Frequency: 10.525 GHz (X-band)
- Detection Method: Microprocessor analyzed doppler-microwave



- Detection Pattern (maximum): 200' long x 50' wide (cars), 350' long x 75' wide (trucks)
- Detection Mode: Directional motion
- Detection Hold-Time: Continuous with motion
- Response Time: 0.250 seconds
- Time Delay: Adjustable 0.250 - 5.0 seconds
- Power Requirements: 12 to 24V AC or DC
- Current Draw: 75mA max. @ 24V DC
- Power Consumption: 1.8 Watts max. @ 24V DC
- Relay Output: Form C, rated at 3 Amps @ 24V DC
- Wiring Harness: 18 gauge 5 conductor cable (standard), 18 gauge 5 conductor quick release (optional)
- Mounting Bracket: Predrilled and slotted (band or lag-bolt mount)
- Enclosure/Finish: Gray powder coated aluminum
- Operating Temperature: -35°F to 165°F (-37°C to 74°C)
- Shipping Weight: Approx. 5 lb.
- Physical Dimensions: 9.25"L x 5.5"W x 5.5"H (23.5 cm L x 14.0 cm W x 14.0 cm H)



Visit our web site: [www.xwalk.com](http://www.xwalk.com)