



Traffic Safety Corporation  
2708 47th Ave.  
Sacramento, CA 95822-3806  
Toll Free: 888.446.9255  
Tel: 916.394.9884  
Fax: 916.394.2809  
Email: sales@xwalk.com  
Web: www.xwalk.com

## TS-SR-15VL Uplighted LED Road Stud

### Features

- Road stud specially developed to illuminate historic areas and pedestrian zones.
- Ideal for zones where it's necessary to project vertical lighting.
- Only .5" (12.7mm) above road surface.
- High brightness during day and night.
- Low maintenance, 100% waterproof.
- Connect multiple road studs in series circuit.
- Wired system that can be powered by electric or solar energy.
- Low power consumption.
- Internal prismatic system.
- No oxidation problems.
- Up to .62 mile (1 km) visibility distance due to high intensity LEDs.
- Many LED color options available for a wide variety of applications.

### Specifications

#### Modes of Operation:

- Always On (other modes of operation like flashing or sequential are available with external controller)

#### LED Configuration:

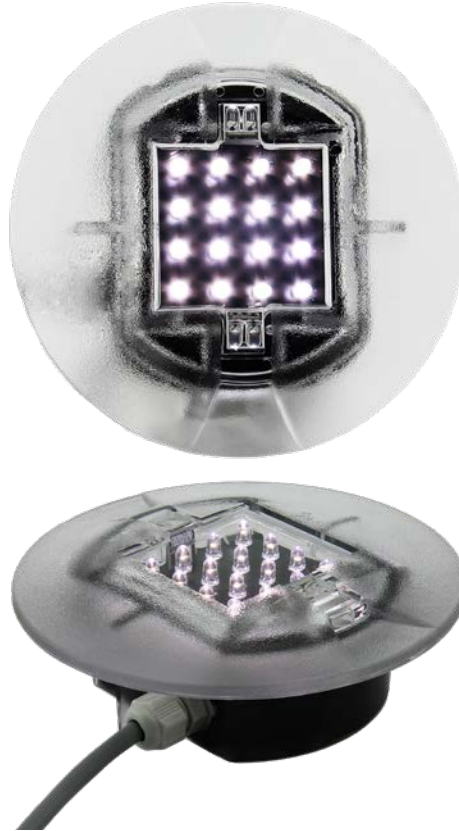
- Uplight
- Uplight + 1 side illuminated
- Uplight + 2 sides illuminated

#### Electrical:

- Power Supply: 12V DC or 24V DC
- Current Consumption: Uplight: 160 mA, Unidirectional: 20mA, Bidirectional: 40mA
- Power Cable: Brown Wire (+), Blue Wire (-)
- Working Temperature: -13°F to +185°F (-25°C to +85°C)

#### Optical:

- LED Quantity: 16 LEDs (up to 4 optional LEDs may be added to the sides)
- LED Type: 5mm



- LED Colors: White, Red, Yellow, Green, Blue
- Viewing Angle: 15°

#### Mechanical:

- Material: Polycarbonate
- Mechanical Resistance: 60 tons
- Weight: 1.1 lb. (.5 kg)
- Protection Index: IP68, IK10
- Dimensions: 5.69" (144.6mm) diameter x 1.97" (50mm) height

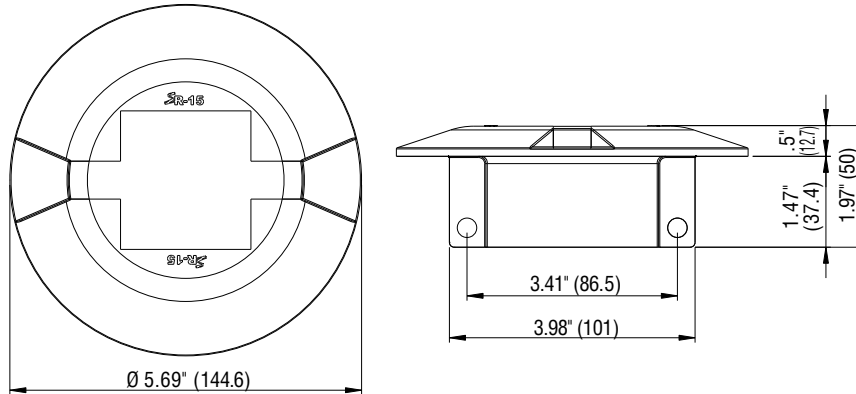
Visit our web site: [www.xwalk.com](http://www.xwalk.com)



Traffic Safety Corporation  
2708 47th Ave.  
Sacramento, CA 95822-3806  
Toll Free: 888.446.9255  
Tel: 916.394.9884  
Fax: 916.394.2809  
Email: sales@xwalk.com  
Web: www.xwalk.com

## TS-SR-15VL Uplighted LED Road Stud

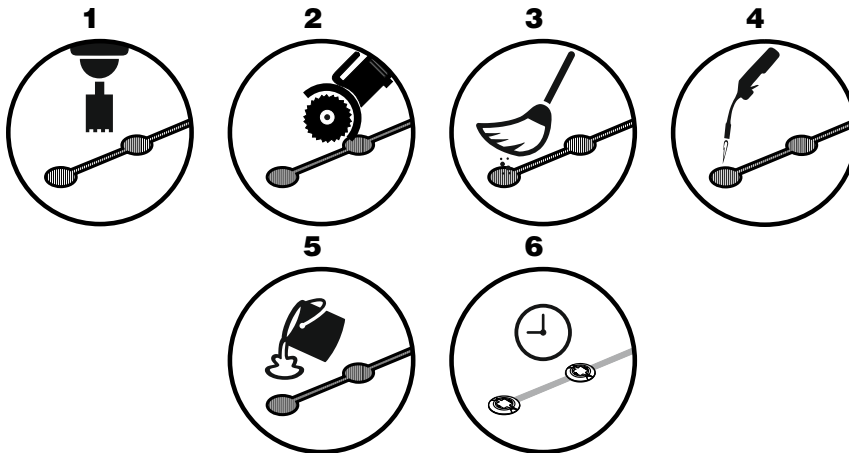
### Dimensions (mm)



### Installation Procedure



Personal protective equipment must be worn during installation process.



- 1 After deciding the location where the stud will be installed, drill a hole having a minimum diameter of 4.33" (110mm) and 1.77" (45mm) deep.
- 2 Using a disk cutter, open a connection between the holes with .6" (15mm) width and 1.57" (40mm) depth.
- 3 Brush any debris or dust from the hole resulting from drilling.
- 4 Dry the hole with a blowtorch to remove any moisture that may compromise the adhesion and effectiveness of the grout.
- 5 Pour  $\pm 4.4$  lb. ( $\pm 2$  kg) of ULTRAFLOW 4000/8 grout in the hole and insert the stud checking that the LEDs are facing the correct direction. Remove any excess grout.
- 6 The grout drying time may change depending on weather conditions. Consult the grout data sheet for more information.

**Changing or not completing the described installation process can result in suspension of warranty.**

**Visit our web site: [www.xwalk.com](http://www.xwalk.com)**



**Traffic Safety Corporation**  
 2708 47th Ave.  
 Sacramento, CA 95822-3806  
 Toll Free: 888.446.9255  
 Tel: 916.394.9884  
 Fax: 916.394.2809  
 Email: sales@xwalk.com  
 Web: www.xwalk.com

**TS-SR-15VL**  
**Uplighted**  
**LED Road Stud**

**TS-SR-15VL**



**Models**

TS-SR-15-VLW-1G  
 TS-SR-15-VLR-1G  
 TS-SR-15-VLY-1G  
 TS-SR-15-VLB-1G  
 TS-SR-15-VLG-1G

**Description**

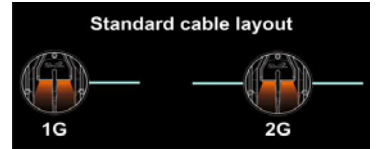
Hardwired Road Stud (No Maintenance) / 3mt Cable Included / 1 Cable Gland  
 "  
 "  
 "  
 "

**Color**

White  
 Red  
 Yellow  
 Blue  
 Green

**OBS.:**

Cable standard (included): 0.75mm<sup>2</sup> wire section  
**Different cable layouts and length should be requested upon order!**  
 Standard mode: Always ON. For flashing or sequential mode, a microcontroller is required.



**CAP Options (TS-SR-20VL):**

Different CAP treatments available by request

**Cable Gland:**  
**Color combinations:**

TS-SR-XX-VLX-2G  
 by request

2 Cable Glands

**Visit our web site: [www.xwalk.com](http://www.xwalk.com)**