



Traffic Safety Corporation
2708 47th Ave.
Sacramento, CA 95822-3806
Toll Free: 888.446.9255
Tel: 916.394.9884
Fax: 916.394.2809
Email: sales@xwalk.com
Web: www.xwalk.com

TS-SR-50-RYG Rotatable, Stainless Steel Rail Signal LED Road Stud

General Description

Signaling systems are fundamental to the safe and efficient running of railway operations. The systems are used to signal the permitted running speed to the train operator. Our in-pavement, recessed fixtures provide signaling without obstructing the flow of pedestrians and vehicle traffic in urban environments.

Our TS-SR-50-RYG stainless steel road stud features a durable, low maintenance design with outstanding visibility during the day and at night.

Features

- Use with traffic control devices.
- Robust construction, suitable for harsh conditions.
- Snowplow resistant.
- Ability to rotate after installation.
- Only .16" (4mm) above road surface.
- Red, Yellow and Green highbright LEDs (1W) with internal lens - used for maximum brightness.
- Specially developed heat sink to increase LED lifetime.
- Outstanding visibility during the day and at night.
- Low maintenance, 100% waterproof.
- Easy replacement: base (fixed in the pavement), main body (removable).
- Polycarbonate window protects LEDs.

Specifications

Modes of Operation:

- Always On (other modes of operation like flashing or sequential are available with external controller)

LED Configuration:

- Unidirectional or bidirectional

Electrical:

- Power Supply: 12V/24V DC
- Current Consumption: Red 86/46 mA, Yellow 90/48 mA, Green 123/65 mA
- Power Cable: Wire 1 (+), Wire 2 (-), Wire 3 (Green PWM), Wire 4 (Red PWM), Yellow/Green (Yellow PWM)



- Working Temperature: -13°F to +185°F (-25°C to +85°C)

Optical:

- LED Number:
3 LEDs (Unidirectional)
6 LEDs (Bidirectional)
- LED Type: High power (1W)
- LED Colors: Red, Yellow, Green
- Viewing Angle: 16°

Mechanical:

- Main Body: Stainless Steel League
- Base: Aluminium
- Mechanical Resistance: 160 tons
- Weight: 4.85 lb. (2.2 kg)
- Protection Index: IP68, IK10
- Dimensions: 5.67" (144mm) diameter x 3.74" (95mm) height

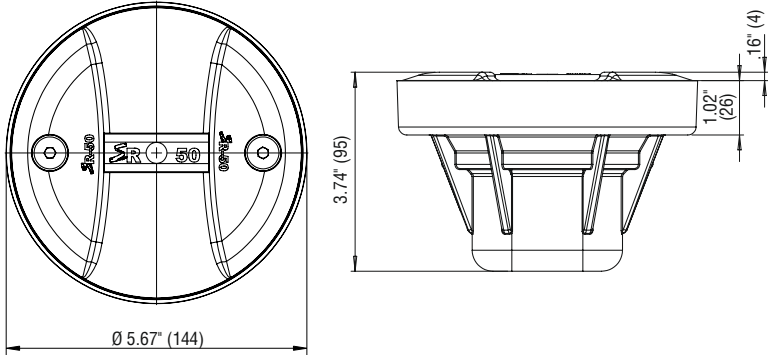
Visit our web site: www.xwalk.com



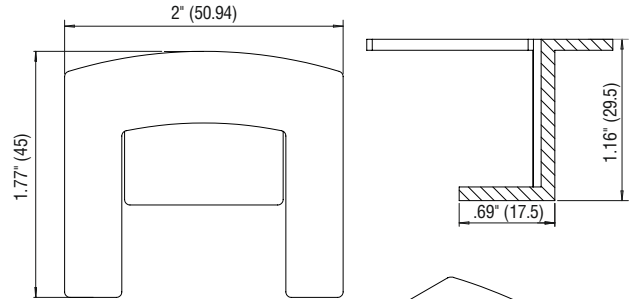
Traffic Safety Corporation
 2708 47th Ave.
 Sacramento, CA 95822-3806
 Toll Free: 888.446.9255
 Tel: 916.394.9884
 Fax: 916.394.2809
 Email: sales@xwalk.com
 Web: www.xwalk.com

TS-SR-50-RYG Rotatable, Stainless Steel Rail Signal LED Road Stud

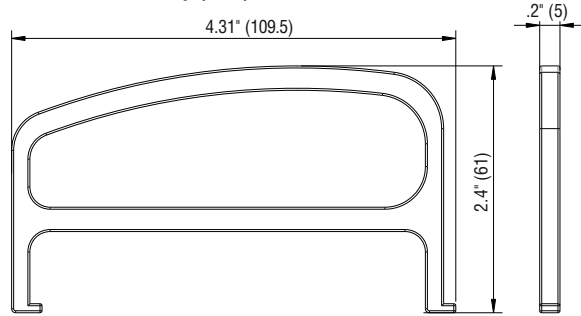
Dimensions (mm)



Installation Accessory (mm)



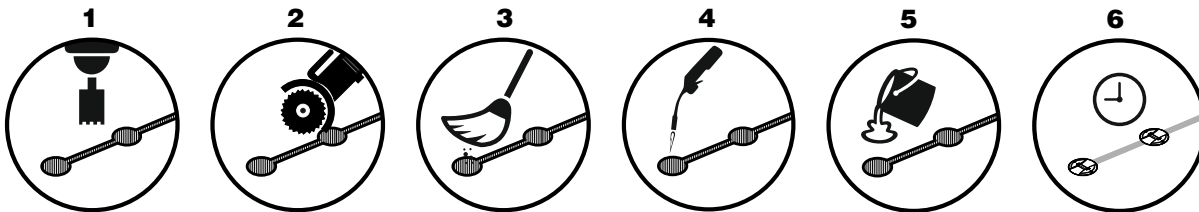
Rotation Accessory (mm)



Installation Procedure



Personal protective equipment must be worn during installation process.



- 1** After deciding the location where the stud will be installed, drill a hole having a diameter between 5.9"-6.1" (151-155mm) and 3.94" (100mm) deep.
- 2** Using a disk cutter, open a connection between the holes with .59" (15mm) width and 2.36" (60mm) depth.
- 3** Brush any debris or dust from the hole resulting from drilling.
- 4** Dry the hole with a blowtorch to remove any moisture that may compromise the adhesion and effectiveness of the grout.
- 5** Pour ± 5.5 lb. (± 2.5 kg) of ULTRAFLOW 4000/8 grout in the hole and insert the stud checking that the LEDs are facing the correct direction. Remove any excess grout.
- 6** The grout drying time may change depending on weather conditions. Consult the grout data sheet for more information.

Changing or not completing the described installation process can result in suspension of warranty.

Visit our web site: www.xwalk.com